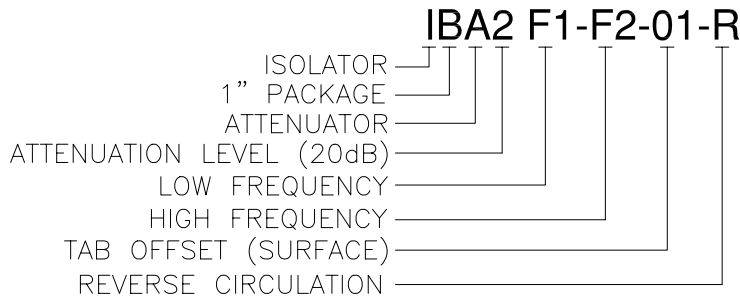
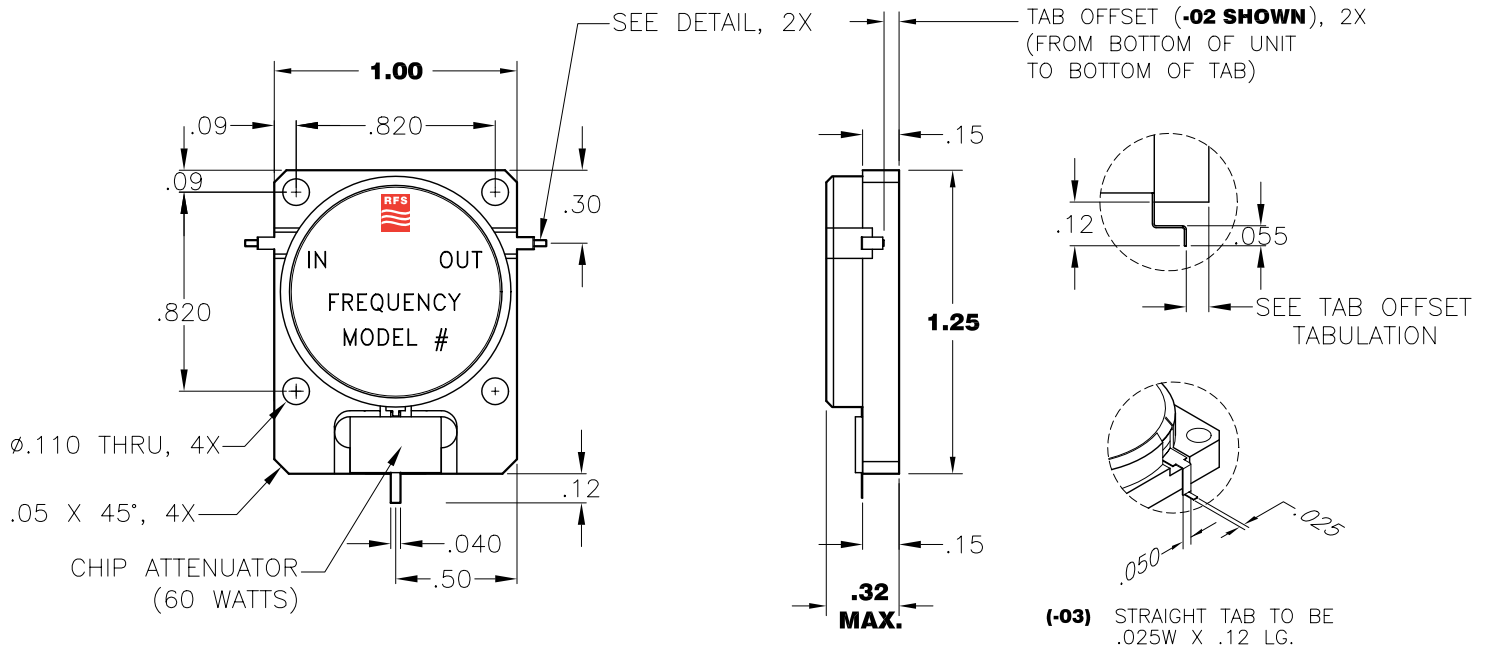




FERROCOM FERRITE DIVISION

# 1" ISO-ATTENUATOR

## LOW LOSS, HIGH POWER



| ELECTRICAL SPECIFICATIONS |  |           |       |
|---------------------------|--|-----------|-------|
| FREQUENCY                 | F1 TO F2 MHz.                                |           |       |
| TEMPERATURE               | +25°C  | -40°C     | +85°C |
| INSERTION LOSS, dB MAX.   | .25  | .30       | .30   |
| ISOLATION, dB MIN.        | 23   | 20        | 20    |
| RETURN LOSS, dB MIN.      |  |           |       |
| IN-OUT                    | 23   | 20        | 20    |
| ATTENUATED PORT           | 20   | 20        | 20    |
| ATTENUATION               | A2   | 20±1.5 dB |       |
|                           | A3   | 30±1.5 dB |       |
| POWER                     | 100 WATTS FORWARD<br>60 WATTS REVERSE        |           |       |
|                           | HEAT SINK TEMPERATURE<br>NOT TO EXCEED +90°C |           |       |

| DASH | TAB OFFSET          |
|------|---------------------|
| -01  | SURFACE, MNT. .000" |
| -02  | .062"               |
| -03  | .150"               |

| FREQUENCY F1-F2 MHz | FREQUENCY F1-F2 MHz |
|---------------------|---------------------|
| 800-840             | 1700-1800           |
| 830-880             | 1805-1880           |
| 869-894             | 1930-1990           |
| 885-920             | 2100-2200           |
| 925-960             |                     |

| MECHANICAL SPECIFICATIONS |                              |
|---------------------------|------------------------------|
| MATERIAL                  | ALUMINUM                     |
| FINISH                    | ELECTROLESS NICKEL           |
| TAB MATERIAL              | BeCu 5MIL THK. SILVER PLATED |
| TOLERANCES                | .XX = ±.010   .XXX = ±.005   |

MODEL NO.: IBAX F1-F2-0X-R

DATE: 08/22/02