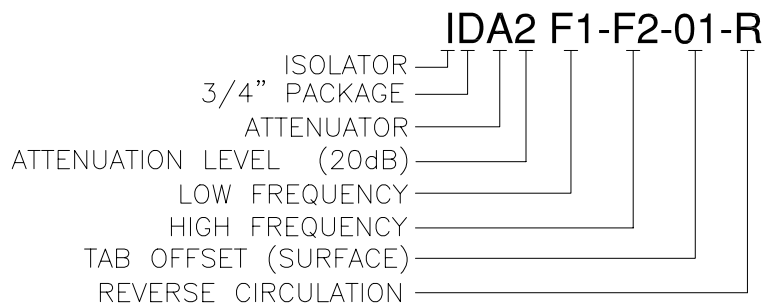
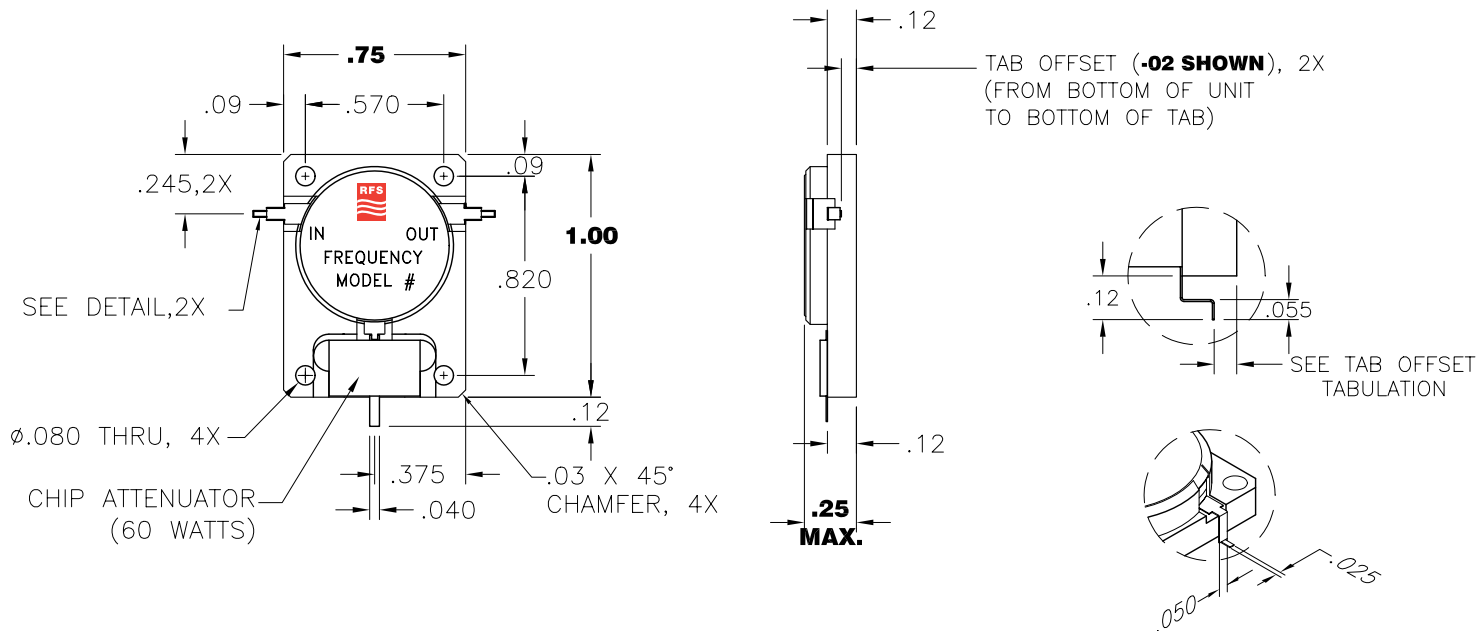




FERROCOM FERRITE DIVISION

# 3/4" ISO-ATTENUATOR

## LOW LOSS, HIGH POWER



**(-03)** STRAIGHT TAB TO BE .025W X .12 LG.

### ELECTRICAL SPECIFICATIONS

ELECTRICAL SPECIFICATIONS		F1 TO F2 MHz.		
FREQUENCY		F1 TO F2 MHz.		
TEMPERATURE		+25°C	-40°C	+85°C
INSERTION LOSS, dB MAX.		.25	.30	.30
ISOLATION, dB MIN.		23	20	20
RETURN LOSS, dB MIN.		23	20	20
	IN-OUT ATTENUATED PORT	20	18	18
ATTENUATION	A2	20±1.5 dB		
	A3	30±1.5 dB		
POWER		100 WATTS FORWARD 60 WATTS REVERSE		
		HEAT SINK TEMPERATURE NOT TO EXCEED +90°C		

DASH	TAB OFFSET	FREQUENCY F1-F2 MHz	FREQUENCY F1-F2 MHz
-01	SURFACE MNT. .000"	1700-1800	
-02	.062"	1805-1880	
-03	.120"	1930-1990	
		2100-2200	
		2500-2700	

### MECHANICAL SPECIFICATIONS

MATERIAL	ALUMINUM	
FINISH	ELECTROLESS NICKEL	
TAB MATERIAL	BeCu 5MIL THK. SILVER PLATED	
TOLERANCES	.XX = ±.010	.XXX = ±.005

MODEL NO. IDAX F1-F2-0X-R

DATE: 08/22/02